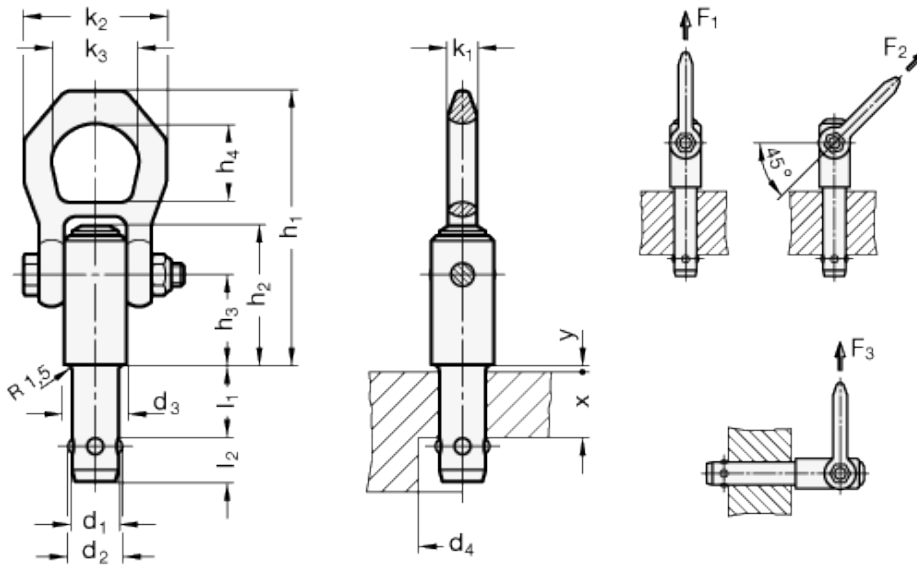


GN 1130-NI

Lifting pins



INOX
Stainless Steel



technical informations

Stud

AISI 630 Stainless Steel, age hardened.

Shackle

AISI 316Ti Stainless Steel.

Push button

Aluminium, red anodized.

Spring

Stainless Steel.

Special executions on request

- other diameter d_1 .
- other lengths l_1 .

Features and applications

Lifting pins GN 1130 are carrier elements designed for fast and easy use. Pressing the red aluminium button will release the locking effect of the locking ball, allowing the load bolt to be moved in or out of the holding bore hole. The shackle rotates by at least 180°, with a safety flange fitted as a safeguard against inadvertent operation. Depending on the direction of pull, the ball load bolt may move freely by 360° in the holding bore hole. Sling and lifting gear permanently remaining at the workpiece (e.g. load rings) is no longer necessary. Holding bore holes with d_1 H11 are sufficient in use.

Standard Elements	Main dimensions															Nominal load in kN*			Weight
Description	d_1	l_{1+1}	d_2	d_3	$d_{4 \text{ min.}}$	h_1	h_2	h_3	h_4	k_1	k_2	k_3	l_2	$x_{\text{min.}}$	y	F_1	F_2	F_3	g
GN 1130-8-10-NI	8	10	9.35	21.5	9.9	87.5	38.5	25.7	27	11	49	30	8.75	5	1.5	1.5	1.2	0.5	225
GN 1130-8-15-NI	8	15	9.35	21.5	9.9	87.5	38.5	25.7	27	11	49	30	8.75	5	1.5	1.5	1.2	0.5	228
GN 1130-8-25-NI	8	25	9.35	21.5	9.9	87.5	38.5	25.7	27	11	49	30	8.75	10	1.5	1.5	1.2	0.5	223
GN 1130-8-35-NI	8	35	9.35	21.5	9.9	87.5	38.5	25.7	27	11	49	30	8.75	20	1.5	1.5	1.2	0.5	236
GN 1130-10-15-NI	10	15	11.7	21.5	12.2	87.5	38.5	25.7	27	11	49	30	10.2	5	1.5	2.7	2.4	2.1	233
GN 1130-10-25-NI	10	25	11.7	21.5	12.2	87.5	38.5	25.7	27	11	49	30	10.2	15	1.5	2.7	2.4	2.1	239
GN 1130-10-35-NI	10	35	11.7	21.5	12.2	87.5	38.5	25.7	27	11	49	30	10.2	25	1.5	2.7	2.4	2.1	243
GN 1130-10-50-NI	10	50	11.7	21.5	12.2	87.5	38.5	25.7	27	11	49	30	10.2	40	1.5	2.7	2.4	2.1	252
GN 1130-12-15-NI	12	15	14.2	21.5	14.7	87.5	38.5	25.7	27	11	49	30	11	5	1.5	3.5	3.2	2.8	243
GN 1130-12-25-NI	12	25	14.2	21.5	14.7	87.5	38.5	25.7	27	11	49	30	11	10	1.5	3.5	3.2	2.8	247
GN 1130-12-35-NI	12	35	14.2	21.5	14.7	87.5	38.5	25.7	27	11	49	30	11	20	1.5	3.5	3.2	3.8	258
GN 1130-12-50-NI	12	50	14.2	21.5	14.7	87.5	38.5	25.7	27	11	49	30	11	35	1.5	3.5	3.2	2.8	267
GN 1130-16-25-NI	16	25	18.6	25	19.2	92.5	47.5	31	27	11	49	30	15.1	10	1.5	4.8	4.5	4.1	318
GN 1130-16-50-NI	16	50	18.6	25	19.2	92.5	47.5	31	27	11	49	30	15.1	15	1.5	4.8	4.5	4.1	350
GN 1130-16-75-NI	16	75	18.6	25	19.2	92.5	47.5	31	27	11	49	30	15.1	35	1.5	4.8	4.5	4.1	392

* with 5-fold anti-fracture safety.



STANDARD MACHINE ELEMENTS WORLDWIDE